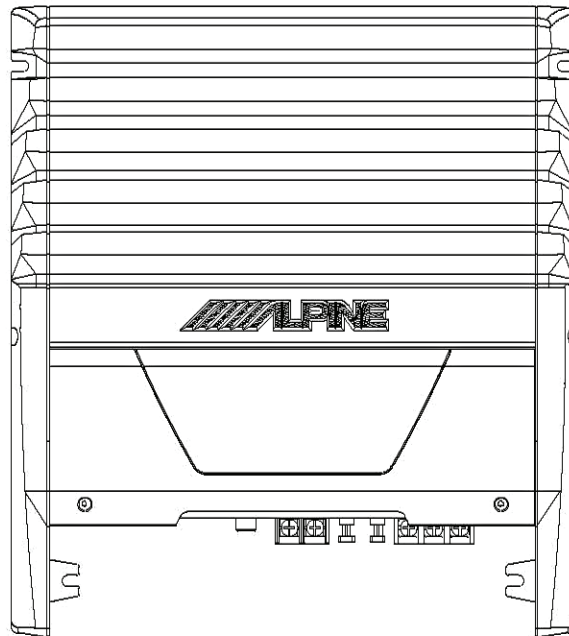


ALPINE **SERVICE MANUAL**

MONO POWER AMPLIFIER



2 / 04-A
68E36265S01



MRD-M301

<Cautions for Safe Repair Work>



The following cautions will prevent accidents in the workplace and will ensure safe products.

*The symbols indicate caution is needed to prevent injuries and damage to property.

The symbols and their meanings follow.

 Warning	If you ignore this symbol and handle the product incorrectly or unsafely, serious injury or death may result.
 Caution	If you ignore this symbol and handle the product incorrectly or unsafely, injury or only material damage may result.



*The following symbols indicate two levels of cautions.



 When you see this symbol, you have to be very careful.
 When you see this symbol, you have to follow the instructions there.



Warning

 Do not look squarely into the laser light coming from the pickup. You may lose your sight.	 Fuse Caution Always use a designated fuse. Use of an incorrect fuse may result in a fire.
--	--

Caution

 Do not allow wiring to be caught in the screw/chassis. If wiring is caught in the screw/chassis, it may cause a short circuit, resulting in a fire.	 Battery Caution Use the designated battery. Confirm the correct polarity and seat of the battery. An incorrect battery or an improperly connected or seated battery may result in a fire.
---	---

 High Temperature Caution Touching the heat sink may cause severe burns.	 Designated Parts Caution Look up the part list and ensure that only designated parts are used to prevent problems or accidents.
---	---

 Reverse Power Supply Connections or Misconnections Caution Reverse power supply connections or misconnections may cause ignition problems and smoke may result.	 Wiring Caution Ensure that the wiring is correct when rewiring to prevent problems with ignition/breakdown.
---	---

 Soldering Caution Hot solder from solder splash may cause severe burns.	 Wear Gloves Wear gloves to prevent electrical shocks or injury from the end face of the metal.
---	--

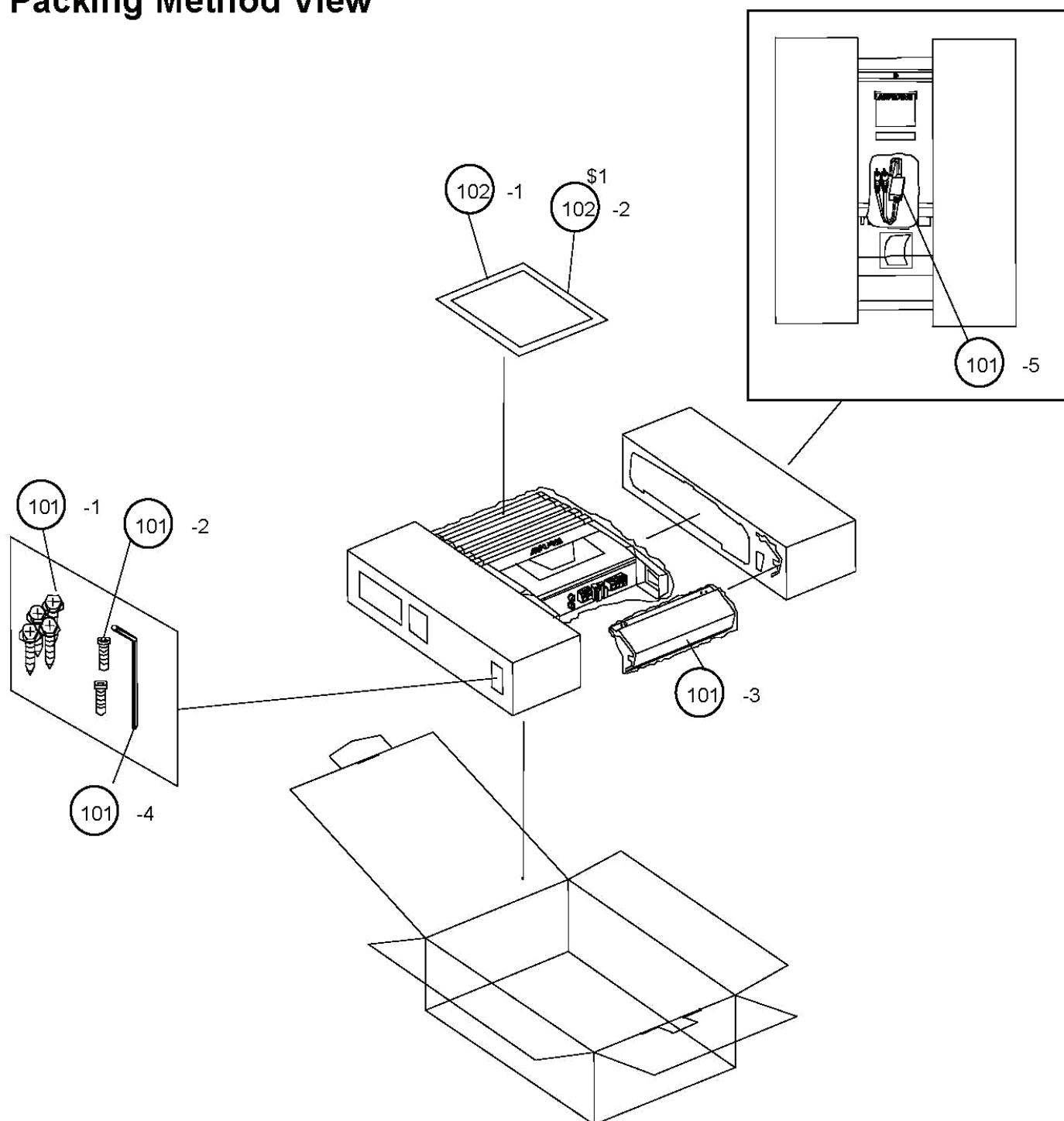
Packing Assembly Parts List

Symbol No.	Part No.	Description
101-1	03E36238S01	SCR(M4X20 TPG1,BLK)
101-2	03E36208S01	WRENCH BOLT(M3X12(WHT))
101-3	15E36239S01	COVER TERMINAL(A)
101-4	01E28659S01	WRENCH (2mmX2.3mm)
101-5	01E36240S01	ASSY KIT SP-N WIRE

Symbol No.	Part No.	Description
#1 102-1	68P04190K32	OWNERS MANUAL(AE)
\$1 102-1	68P04190K18	OWNERS MANUAL(GE)
%1 102-1	68-00346Z14	OWNERS MANUAL(EU)
\$1 102-2	68P04190K19	OWNERS MANUAL(I.G.S)

NOTE : #1 : For North American Model Only, \$1 : For European Model Only,
&1 : For Chinese Model Only, Others : Common.

Packing Method View



NOTE : \$1 : For European Model Only, Others : Common.

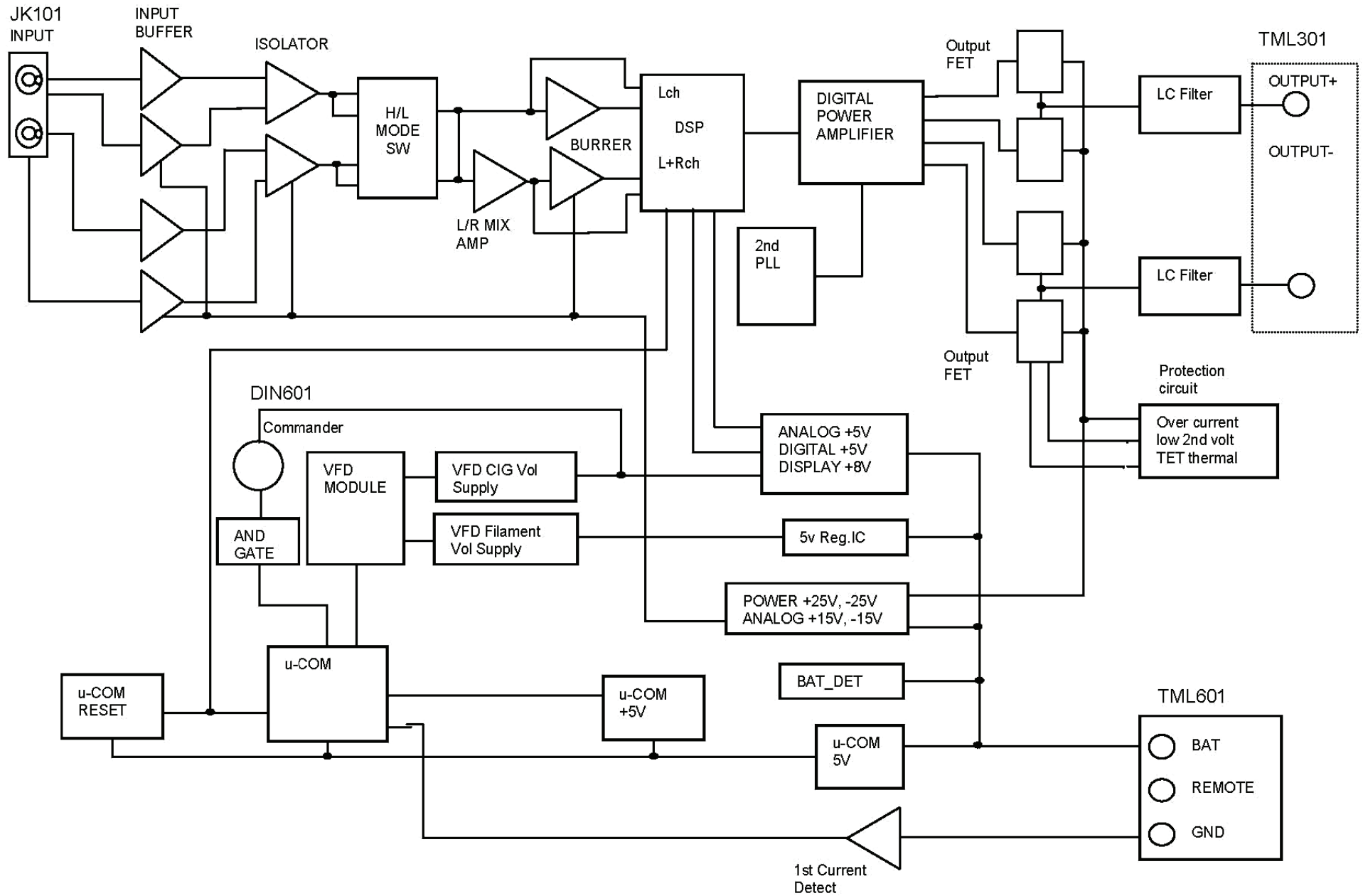
Specifications

Power Output (20Hz, 100Hz)	4ohm, 1% T.H.D., 14.4V : 175W 2ohm, 1% T.H.D., 14.4V : 350W
T.H.D. (100Hz)	100W/ch/4ohm, 14.4V : 1%
S/N Ratio (Ref. Output 175W/4ohm, Input short, , Gain Position 0dB)	81dB
Residual Noise (Input Short, , Gain Position 0dB)	30mV
Frequency Response (Ref. 100Hz, 0dB)	20Hz : -0.5±2dB 350Hz : -6±2dB
Input Sensitivity (Power Gain at 175W/4ohm Output)	
RCA 0.1V Input (Input Gain SW : HIGH MODE)	RCA 0dB : 0±2dB RCA -6dB : -6±3dB RCA -12dB : -12±3dB RCA -18dB : -18±3dB
RCA 1.0V Input (Input Gain SW : LOW MODE)	RCA 0dB : 0±2dB
SP 1V Input (Input Gain SW : HIGH MODE)	SP 0dB : 0±2dB
Remote on Voltage (1W Output)	6.5±1V
Current Drain	No Signal : 2A 10% T.H.D., 2ohm Load : 65A Remote Current Drain : 0.26±0.1mA Back-Up Current Drain : 1.2mA
Fuse Requirement	20A(Peak) x 2 (For Battery Line)
Power Source	DC14.4V (11~16V)
Dimensions (W x H x D)	241 x 65 x 270mm
Weight	2.8kg

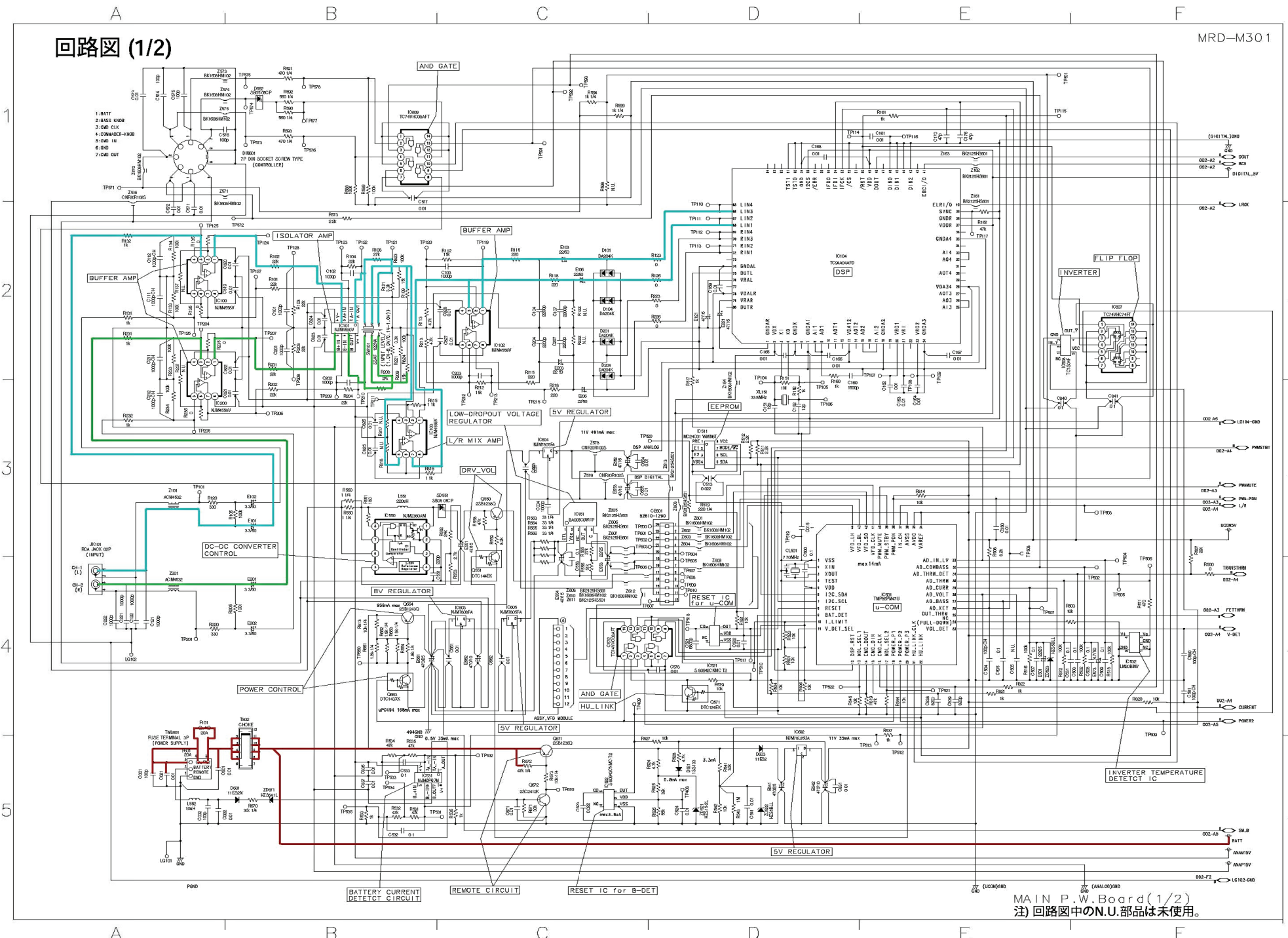
NOTE : Due to Continuing product improvement, specifications and designs are subject to change without notice.

Block Diagram

MRD-M301

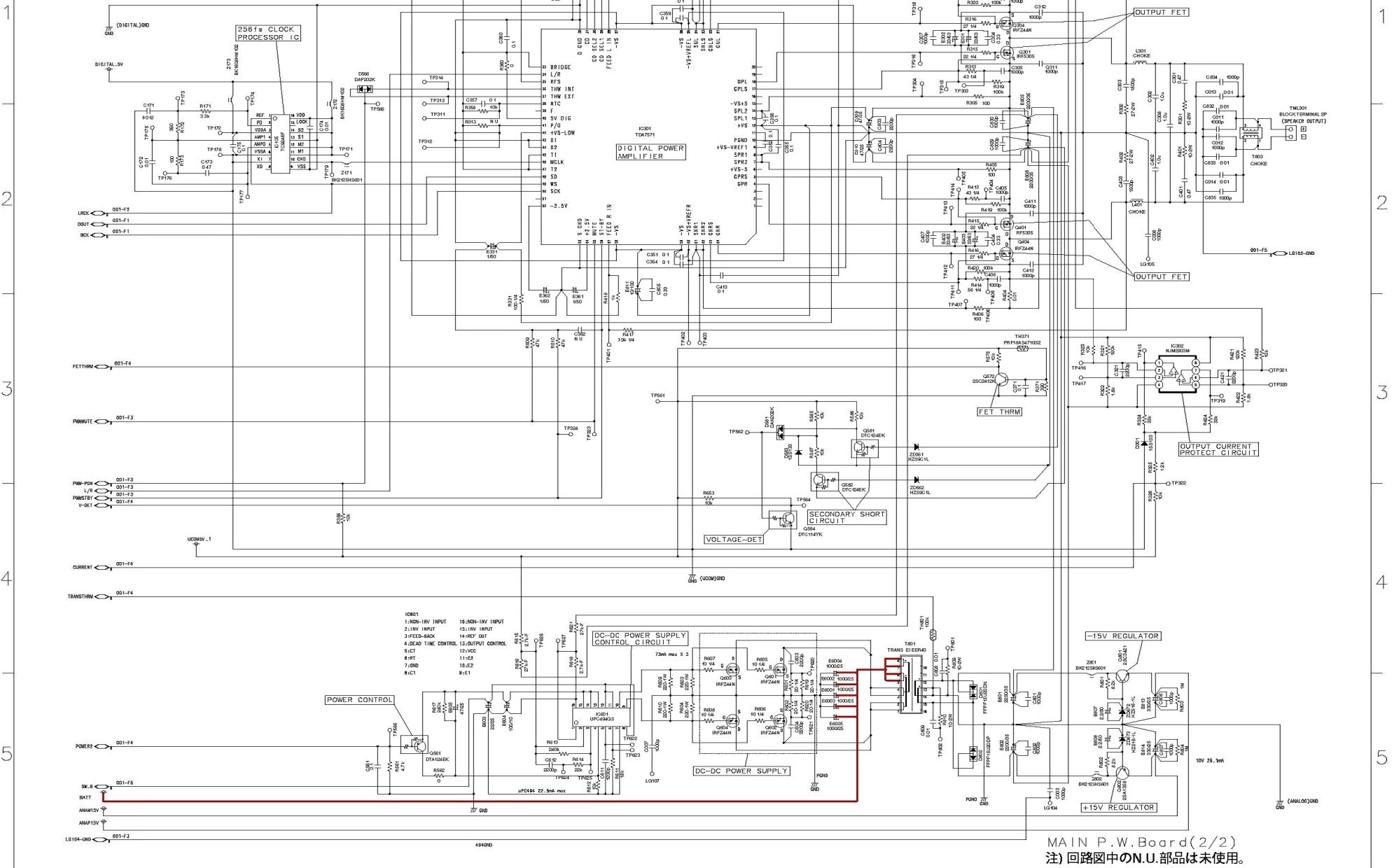


回路図 (1/2)



MAIN P.W. Board(1/2)
 注) 回路図中のN.U.部品は未使用。

回路図 (2/2)



MAIN P.W.Board(2/2)
注) 回路図中のN.U.部品は未使用。

Terminal Voltage of IC/TR

IC100	
1	4.9 m
2	4.9 m
3	4.9m
4	-15.229
5	4.99m
6	5.0m
7	5.1m
8	15.193

IC101	
1	2.21m
2	4.91m
3	4.98m
4	-15.256
5	5.13m
6	4.89m
7	2.56m
8	15.213

IC102	
1	2.42m
2	2.63m
3	2.72m
4	-51.261
5	3.05m
6	3.24m
7	5.02m
8	15.217

IC103	
1	3.05m
2	3.07m
3	2.7m
4	-15.267
5	2.63m
6	2.68m
7	2.72m
8	15.223

IC104									
1	2.94m	17	2.505	33	2.491	49	5.027	65	2.521
2	5.025	18	3.06m	34	NC	50	5.058	66	2.521
3	2.313	19	NC	35	3.04m	51	NC	67	2.52
4	2.348	20	2.523	36	NC	52	6.88m	68	2.52
5	6.85m	21	2.522	37	5.028	53	5.063	69	2.515
6	NC	22	NC	38	6.84m	54	5.063	70	2.515
7	3.04m	23	2.391	39	34.8m	55	NC	71	2.52
8	2.503	24	3.03m	40	2.519	56	NC	72	2.52
9	2.503	25	2.504	41	2.532	57	NC	73	NC
10	NC	26	2.504	42	NC	58	5.027	74	2.92m
11	NC	27	NC	43	6.69m	59	6.8m	75	2.51
12	NC	28	5.052	44	6.7m	60	6.8m	76	5.522
13	5.52	29	NC	45	6.88m	61	6.8m	77	NC
14	NC	30	NC	46	6.87m	62	NC	78	5.052
15	NC	31	NC	47	NC	63	NC	79	2.517
16	NC	32	2.491	48	1.41	64	NC	80	2.515

IC105					
1	2.519	7	5.021	12	5.026
2	2.023	8	NC	13	6.98m
3	5.024	9	6.98m	14	5.026
4	2.023	10	2.374	15	NC
5	1.528				
6	0.98m	11	5.026	16	5.206

IC200			
1	5.18m	5	4.92m
2	5.18m	6	4.7m
3	4.94m	7	4.7m
4	-15.246	8	15.198

IC301									
1	NC	14	25.42	27	-25.3	40	4.896	53	4.46m
2	NC	15	NC	28	-65.3m	41	5.01m	54	2.467
3	NC	16	NC	29	4.895	42	23.49	55	5.053
4	22.53	17	22.56	30	4.895	43	4.99m	56	5.06
5	22.52	18	22.58	31	4.893	44	4.99m	57	-73.2m
6	NC	19	NC	32	5.05m	45	4.895	58	-25.3
7	25.42	20	NC	33	4.895	46	2.306	59	-25.3
8	25.42	21	-22.25	34	5.061	47	4.896	60	-17.33
9	14.464	22	-22.25	35	2.64	48	1.41	61	-25.28
10	4.45m	23	-25.28	36	4.948	49	2.518	62	-25.28
11	1.25	24	-25.28	37	4.93	50	2.51	63	-22.24
12	25.43	25	-17.33	38	4.869	51	NC		
13	25.42	26	-25.3	39	NC	52	-2.409	64	-22.24

IC302			
1	5.058	5	-23.02
2	-23.375	6	-23.375
3	-23.02	7	5.058
4	-23.375	8	4.6m

IC501							
1	0.89m	12	5.059	23	5.058	34	5.063
2	2.127	13	0.89m	24	1.99m	35	5.063
3	2.308	14	4.171	25	18.87m	36	0.89m
4	0.88m	15	0.86m	26	5.059	37	5.061
5	5.063	16	0.84m	27	5.062	38	5.061
6	6.062	17	0.82m	28	3.562	39	5.061
7	5.062	18	4.984	29	99.22m	40	5.053
8	5.059	19	4.977	30	1.469	41	2.5m
9	5.059	20	5.05	31	3.835	42	3.5m
10	5.061	21	2.03m	32	3.45m	43	1.45m
11	12.86m	22	2.02m	33	2.486	44	1.5m

IC511			
1	0.87m	5	5.062
2	0.87m	6	5.062
3	0.87m	7	0.87m
4	0.87m	8	5.063

IC521	
1	5.058
2	5.063
3	0.86m
4	NC
5	0.87m

IC522	
1	5.06
2	7.976
3	0.43m
4	NC
5	0.43m

IC531	
1	NC
2	254m
3	246.5m
4	1.008v
5	NC
6	1.573
7	2.178
8	NC

IC532	
1	0.87m
2	0.87m
3	1.509
4	5.063
5	0.87m

IC550	
1	8.047
2	11.09m
3	432.1m
4	11.05m
5	1.27
6	8.091
7	8.073
8	7.598

IC551	
1	2.932
2	2.932
3	6.43m
4	1.916
5	1.261

IC572			
1	4.985	8	5.059
2	5.058	9	5.06
3	5.035	10	5.063
4	0.87m	11	NC
5	0.88m	12	0.88m
6	NC	13	0.88m
7	0.88m	14	5.063

IC601							
1	261.4m	5	1.662	9	0.71m	13	4.957
2	4.594	6	3.682	10	0.71m	14	4.957
3	83.47m	7	1.32m	11	14.333	15	4.957
4	4.939	8	14.333	12	14.333	16	1.23m

IC602	
1	5.064
2	0.41m
3	13.674

IC603	
1	14.311
2	5.372m
3	8.093

IC604	
1	14.312
2	5.31m
3	5.058

IC605	
1	14.31
2	6.43m
3	5.06

IC607			
1	5.064	8	NC
2	2.77m	9	NC
3	2.78m	10	2.78m
4	5.058	11	2.78m
5	5.064	12	2.78m
6	NC	13	2.78m
7	2.78m	14	5.064

IC608	
1	NC
2	5.061
3	2.77m
4	2.78m
5	5.064

IC609			
1	5.063	8	1m
2	0.6m	9	2.06m
3	0.89m	10	2.07m
4	0.62m	11	5.063
5	5.063	12	5.063
6	0.89m	13	4.171
7	0.89m	14	5.063

	G	D	S		G	D	S
Q301	22.56	-373.5m	25.43	Q601	217.2m	14.394	1.91m
Q304	-22.25	-377.6m	-25.29	Q602	218.4m	14.394	1.84m
Q401	22.51	-397.6m	25.43	Q603	221.4	14.396	1.88m
Q404	-22.23	-394.2	-25.29	Q604	179.5m	14.396	1.90m

	E	B	C		E	B	C
Q550	12.286	12.283	11.625	Q584	4.4m	6.1m	5.058
Q551	4.66m	5.049m	5046m	Q663	2.27m	4.982	99.75m
Q561	4.958	15.7m	4.939	Q664	14.392	13.651	13.367
Q571	0.88m	2.06m	5.059	Q671	14.391	14.354	13.702
Q572	6.03m	778m	17.5m	Q672	0.43m	660.3m	26.98m
Q581	3.4m	3m	3.7	Q801	15.121	15.741	25.48
Q582	422.1m	420m	3.7	Q802	-15.189	-15.793	-25.22

[Measuring Conditions]

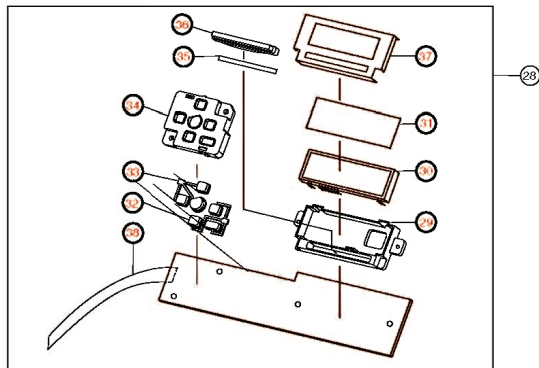
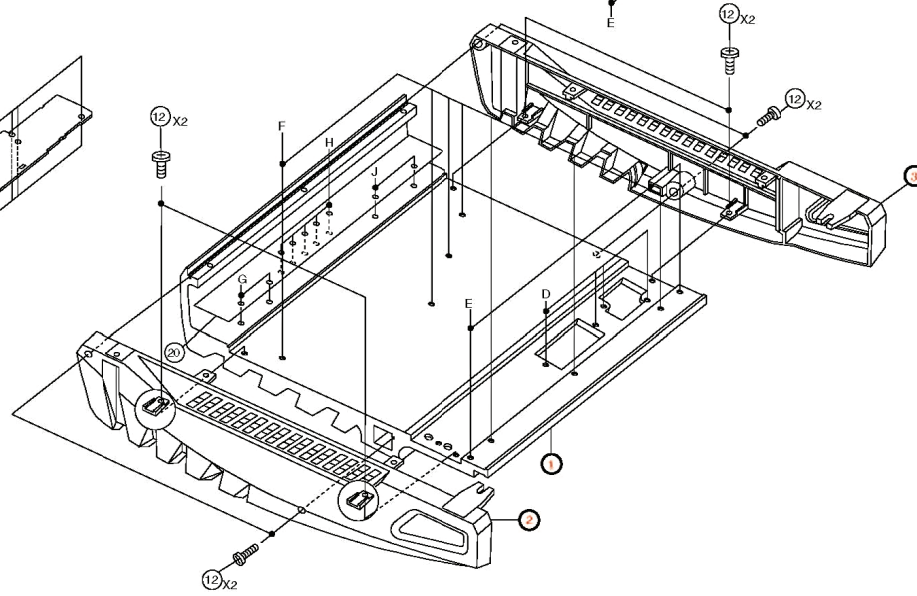
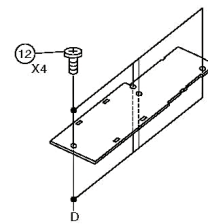
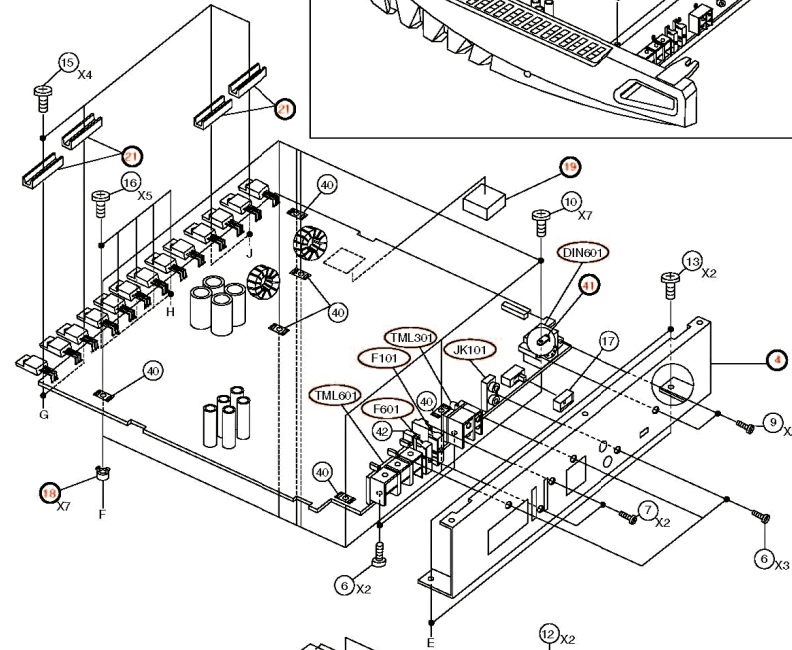
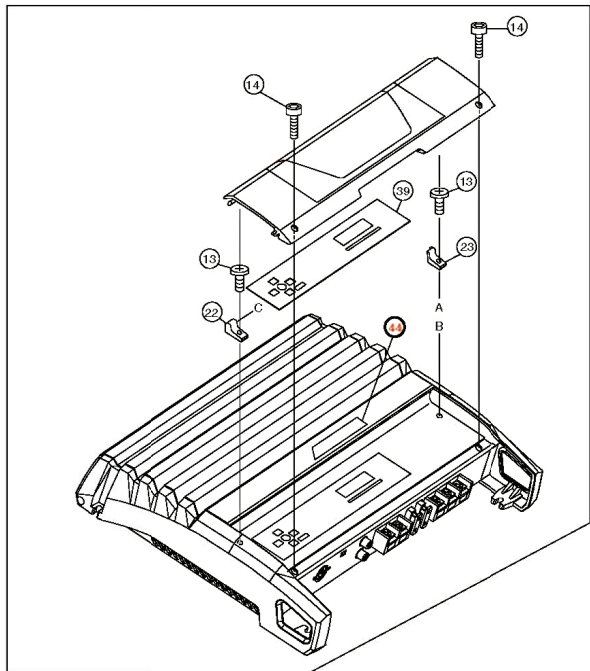
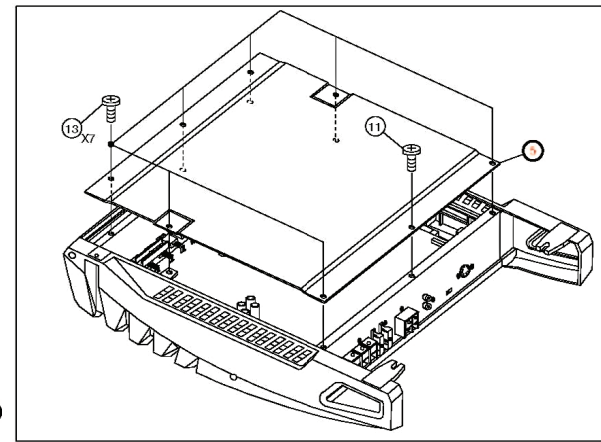
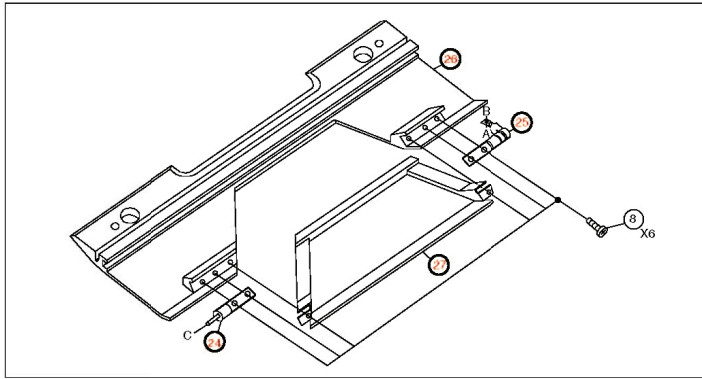
- | | |
|-----------------------------|-----------------------|
| 1.Power Supply Voltage | : DC14.4V |
| 2.Measuring Meter | : Digital Multi Meter |
| 3.Measuring Point Reference | : Between GND |
| 4.Measuring Condition | : No Signal Input |

Description of IC Terminal

TMP86PM47U : IC501

No.	Symbol	I/O	Terminal Description
1	VSS	I	GND connect terminal of A/D converter.
2	XIN	I	Crystal OSC connect terminal.
3	XOUT	O	
4	TEST	I	TEST terminal.
5	VDD	I	Power supply terminal. (4.5 to 5.5V)
6	I2C_SDA	O	I2C-SDA output terminal.
7	I2C_SCL	O	I2C-SCL output terminal.
8	RESET	I	RESET terminal.
9	BAT_DET	I	BAT-DET terminal.
10	I_LIMIT	I	I_LIMIT input terminal.
11	V_DET_SEL	O	VOLT-DET circuit ON/OFF terminal.
12	DSP_RST	O	DSP-RESET output terminal.
13	MDL_SEL1	I	Model distinction input terminal.
14	CMD_DOUT	O	Outer commander data output terminal.
15	CMD_DIN	I	Outer commander data input terminal.
16	CMD_CLK	I	Outer commander clock terminal.
17	MDL_SEL2	I	Model distinction input terminal.
18	POWER_P1	O	Power supply circuit control signal output terminal.
19	POWER_P2		
20	POWER_P3		
21	HU_LINK_CLK	O	HU LINK indicator clock output terminal.
22	HU_LINK	O	HU LINK indicator output terminal.
23	VOLT_DET	I	VOLT-DET terminal.
24	NC(PULL-DOWN)	-	Pull-down connect terminal.
25	OUT_THRM	I	Output Thermal detect 1
26	AD_KEY	I	KEY level input terminal.
27	AD_BASS	I	Gain level input terminal. (Bass Knob)
28	AD_VOLT	I	Voltage signal input terminal.
29	AD_CURR	I	Current signal input terminal.
30	AD_THRM	I	Temperature signal input terminal.
31	AD_THRM_DET	I	Temperature detect input terminal.
32	AD_COMBASS	O	Gain level input terminal. (Commander)
33	AD_IN_LV	I	Input level signal input terminal.
34	VAREF	I	Analog standard voltage terminal.
35	AVDD	-	Analog power supply terminal of A/D converter.
36	AVSS	-	GND connect terminal of A/D converter.
37	IN_CH	O	PWM-1/1+2 select output terminal.
38	PWM_PDN	I	PWM-PDN input terminal.
39	PWM_STBY	O	PWM-STAND-BY output terminal.
40	PWM_MUTE	O	PWM-MUTE output terminal.
41	VFD_CLK	O	VFD driver synchronous clock output terminal.
42	VFD_SD	O	VFD driver transmission data output terminal.
43	VFD_BL	O	VFD driver blank output output terminal.
44	VFD_LH	O	VFD driver latch & hold output terminal.

Exploded View (Cabinet)



Electrical Parts List

* Each parts on P.W.Board are described in order of the reference number.

=====MAIN P.W.Board

C001	08T95420W01	CAP,CER 101K-R2J -CP
C002	08T95420W01	CAP,CER 101K-R2J -CP
C003	08E33110S01	CAP,CER 102-K-B1H-CP
C004	08E33110S01	CAP,CER 102-K-B1H-CP
C007	08E33110S01	CAP,CER 102-K-B1H-CP
C008	08E33110S01	CAP,CER 102-K-B1H-CP
C011	08S45539Y01	CAP,CER 102KX7R2J-CP
C012	08S45539Y01	CAP,CER 102KX7R2J-CP
C013	08S45539Y04	CAP, CER 103KX7R2J-CP
C014	08S45539Y04	CAP, CER 103KX7R2J-CP
C015	08E32301S01	CAP,CER 105K-B0J-CP
C021	08S45539Y04	CAP, CER 103KX7R2J-CP
C022	08S45539Y04	CAP, CER 103KX7R2J-CP
C101	08E33110S01	CAP,CER 102-K-B1H-CP
C102	08E33110S01	CAP,CER 102-K-B1H-CP
C103	08E33110S01	CAP,CER 102-K-B1H-CP
C104	08E31991S01	CAP,CER 222-K-B1H-CP
C107	08E31991S01	CAP,CER 222-K-B1H-CP
C111	08E33110S01	CAP,CER 102-K-B1H-CP
C112	08E33110S01	CAP,CER 102-K-B1H-CP
C121	08E33110S01	CAP,CER 102-K-B1H-CP
C122	08E33110S01	CAP,CER 102-K-B1H-CP
C151	08E33111S01	CAP,CER 12R-J-CH1H-CP
C152	08E33111S01	CAP,CER 12R-J-CH1H-CP
C160	08E31828S01	CAP,CER 152-K-B1H-CP
C161	08E28771S01	CAP,CER 103-K-B1H-CP
C162	08E28771S01	CAP,CER 103-K-B1H-CP
C163	08E28771S01	CAP,CER 103-K-B1H-CP
C164	08E28771S01	CAP,CER 103-K-B1H-CP
C165	09E28771S01	CAP,CER 103-K-B1H-CP
C166	08E28771S01	CAP,CER 103-K-B1H-CP
C167	09E28771S01	CAP,CER 103-K-B1H-CP
C168	09E28771S01	CAP,CER 103-K-B1H-CP
C169	09E28771S01	CAP,CER 103-K-B1H-CP
C170	08E33395S01	CAP,CER 47R-J-CH1H-CP
C171	08E32208S01	CAP,CER 123-K-B1H-CP
C172	09E28771S01	CAP,CER 103-K-B1H-CP
C173	08E35629S01	CAP,CER 474K-B1C-CP(1608)
C174	09E28771S01	CAP,CER 103-K-B1H-CP
C175	08E31820S01	CAP,CER 104-K-B1E-CP
C176	08E33395S01	CAP,CER 47R-J-CH1H-CP
C201	08E33110S01	CAP,CER 102-K-B1H-CP
C202	08E33110S01	CAP,CER 102-K-B1H-CP
C203	08E33110S01	CAP,CER 102-K-B1H-CP
C204	08E31991S01	CAP,CER 222-K-B1H-CP
C207	08E31991S01	CAP,CER 222-K-B1H-CP
C211	08E33110S01	CAP,CER 102-K-B1H-CP
C212	08E33110S01	CAP,CER 102-K-B1H-CP
C221	08E33110S01	CAP,CER 102-K-B1H-CP
C222	08E33110S01	CAP,CER 102-K-B1H-CP
C301	08E25317S01	CAP,TF,MMTS 474-J-RD

C302	08E33316S01	CAP MMH 105-J-M(100V)
C303	08S45539Y05	CAP,CER 152KX7R2J-CP
C304	08S55504Y01	CAP,CER 334 MX7R2A-CP
C305	08E33110S01	CAP,CER 102-K-B1H-CP
C306	08E33110S01	CAP,CER 102-K-B1H-CP
C307	08S45539Y01	CAP,CER 102KX7R2J-CP
C308	08E33316S01	CAP MMH 105-J-M(100V)
C311	08S45539Y01	CAP,CER 102KX7R2J-CP
C312	08S45539Y01	CAP,CER 102KX7R2J-CP
C313	08E31820S01	CAP,CER 104-K-B1E-CP
C321	08E31991S01	CAP,CER 222-K-B1H-CP
C350	08E28771S01	CAP,CER 103-K-B1H-CP
C351	08E31820S01	CAP,CER 104-K-B1E-CP
C352	08E31820S01	CAP,CER 104-K-B1E-CP
C353	08E31820S01	CAP,CER 104-K-B1E-CP
C354	08E31820S01	CAP,CER 104-K-B1E-CP
C355	08E31820S01	CAP,CER 104-K-B1E-CP
C356	08E31820S01	CAP,CER 104-K-B1E-CP
C357	08E31820S01	CAP,CER 104-K-B1E-CP
C359	08E31820S01	CAP,CER 104-K-B1E-CP
C360	08E31820S01	CAP,CER 104-K-B1E-CP
C371	08E31820S01	CAP,CER 104-K-B1E-CP
C401	08E25317S01	CAP,TF,MMTS 474-J-RD
C402	08E33316S01	CAP MMH 105-J-M(100V)
C403	08S45539Y05	CAP,CER 152KX7R2J-CP
C404	08S55504Y01	CAP,CER 334 MX7R2A-CP
C405	08E33110S01	CAP,CER 102-K-B1H-CP
C406	08E33110S01	CAP,CER 102-K-B1H-CP
C407	08S45539Y01	CAP,CER 102KX7R2J-CP
C411	08S45539Y01	CAP,CER 102KX7R2J-CP
C412	08S45539Y01	CAP,CER 102KX7R2J-CP
C413	08E31820S01	CAP,CER 104-K-B1E-CP
C421	08E31991S01	CAP,CER 222-K-B1H-CP
C500	08E31820S01	CAP,CER 104-K-B1E-CP
C503	08E31820S01	CAP,CER 104-K-B1E-CP
C504	08E32056S01	CAP,CER 101-J-CH1H-CP
C505	08E31820S01	CAP,CER 104-K-B1E-CP
C507	08E31820S01	CAP,CER 104-K-B1E-CP
C508	08E31820S01	CAP,CER 104-K-B1E-CP
C509	08E31820S01	CAP,CER 104-K-B1E-CP
C513	08E31170S01	CAP,CER 223-K-B1H-CP
C521	08E32300S01	CAP,CER 682-K-B1H-CP
C522	08E28771S01	CAP,CER 103-K-B1H-CP
C523	08E31170S01	CAP,CER 223-K-B1H-CP
C524	09E28771S01	CAP,CER 103-K-B1H-CP
C531	08E31820S01	CAP,CER 104-K-B1E-CP
C532	08E31820S01	CAP,CER 104-K-B1E-CP
C533	08E31820S01	CAP,CER 104-K-B1E-CP
C541	08E28771S01	CAP,CER 103-K-B1H-CP
C551	08E33659S01	CAP,CER 221-J-CH1H-CP
C553	08E31820S01	CAP,CER 104-K-B1E-CP
C561	08E31820S01	CAP,CER 104-K-B1E-CP
C571	09E28771S01	CAP,CER 103-K-B1H-CP
C572	09E28771S01	CAP,CER 103-K-B1H-CP
C573	09E28771S01	CAP,CER 103-K-B1H-CP
C574	08E32056S01	CAP,CER 101-J-CH1H-CP
C575	08E32056S01	CAP,CER 101-J-CH1H-CP

C576	08E32056S01	CAP,CER 101-J-CH1H-CP
C577	08E28771S01	CAP,CER 103-K-B1H-CP
C578	08E28771S01	CAP,CER 103-K-B1H-CP
C580	08E32056S01	CAP,CER 101-J-CH1H-CP
C581	08E32056S01	CAP,CER 101-J-CH1H-CP
C601	08E28771S01	CAP,CER 103-K-B1H-CP
C603	08S45539Y02	CAP,CER,222KX7R2J-CP
C604	08S45539Y02	CAP,CER,222KX7R2J-CP
C611	08E27842S01	CAP,TF,AMCS 122-J-RD
C612	08E31991S01	CAP,CER 222-K-B1H-CP
C661	09E28771S01	CAP,CER 103-K-B1H-CP
C662	09E28771S01	CAP,CER 103-K-B1H-CP
C663	09E28771S01	CAP,CER 103-K-B1H-CP
C664	08E28771S01	CAP,CER 103-K-B1H-CP
C665	08E28771S01	CAP,CER 103-K-B1H-CP
C671	08E28771S01	CAP,CER 103-K-B1H-CP
C801	08E33110S01	CAP,CER 102-K-B1H-CP
C802	08E33110S01	CAP,CER 102-K-B1H-CP
C803	08E31991S01	CAP,CER 222-K-B1H-CP
C804	08E31991S01	CAP,CER 222-K-B1H-CP
C805	08S55504Y01	CAP,CER 334 MX7R2A-CP
C806	08E33110S01	CAP,CER 102-K-B1H-CP
C807	08E33110S01	CAP,CER 102-K-B1H-CP
C808	08S45539Y04	CAP, CER 103KX7R2J-CP
C809	08S45539Y04	CAP, CER 103KX7R2J-CP
C819	08E28771S01	CAP,CER 103-K-B1H-CP
C820	08E28771S01	CAP,CER 103-K-B1H-CP
C821	08E28771S01	CAP,CER 103-K-B1H-CP
C822	08E28771S01	CAP,CER 103-K-B1H-CP
C823	08E28771S01	CAP,CER 103-K-B1H-CP
C824	08E28771S01	CAP,CER 103-K-B1H-CP
C825	08E28771S01	CAP,CER 103-K-B1H-CP
C826	08E28771S01	CAP,CER 103-K-B1H-CP
C827	08E28771S01	CAP,CER 103-K-B1H-CP
C828	08E28771S01	CAP,CER 103-K-B1H-CP
C829	08E33110S01	CAP,CER 102-K-B1H-CP
C830	08E33110S01	CAP,CER 102-K-B1H-CP
C831	08E28771S01	CAP,CER 103-K-B1H-CP
C832	08S45539Y04	CAP, CER 103KX7R2J-CP
C833	08S45539Y04	CAP, CER 103KX7R2J-CP
C834	08S45539Y01	CAP,CER 102KX7R2J-CP
C835	08S45539Y01	CAP,CER 102KX7R2J-CP
C836	08E28771S01	CAP,CER 103-K-B1H-CP
C837	08E28771S01	CAP,CER 103-K-B1H-CP
C838	08E31815S01	CAP,CER 821-K-SL1H-CP
C839	08E31815S01	CAP,CER 821-K-SL1H-CP
C840	08E31820S01	CAP,CER 104-K-B1E-CP
C841	08E31820S01	CAP,CER 104-K-B1E-CP
CB601	09T15373Y12	FFC,52610-1290 -E9
CL501	91T45281Y04	OSC,CER CSTCR7M70-E1
D101	48E10946S01	DIO,DA,204K-J-146-CP
D104	48E10946S01	DIO,DA,204K-J-146-CP
D201	48E10946S01	DIO,DA,204K-J-146-CP
D204	48E10946S01	DIO,DA,204K-J-146-CP
D301	48T68828F11	DIO,1SS133-RH
D521	48T68828F11	DIO,1SS133-RH
D562	48T15702W01	DIO,CP SB05-05CP

MRD-M301

D566	48E23841S01	DIO,DAP,202K-T-146-CP
D581	48E10945S01	DIO,DAN 202K-T-146-CP
D583	48T68828F11	DIO,1SS133-RH
D601	48T84052F11	DIO SI 11ES2-TB5-R5
D603	48T84052F11	DIO SI 11ES2-TB5-R5
D801	48E35122S01	DIO,FFPF15U20DN
D802	48E35121S01	DIO,FFPF15U20DP
E101	23E33665S01	CAP,ELEC,SHL 3.3/50-M-RD
E102	23E33665S01	CAP,ELEC,SHL 3.3/50-M-RD
E103	23E33351S01	CAP,ELEC,SHL 22/50-M-RD
E106	23E33351S01	CAP,ELEC,SHL 22/50-M-RD
E121	23E33400S01	CAP,ELEC,SHL 47/16-M-RD
E201	23E33665S01	CAP,ELEC,SHL 3.3/50-M-RD
E202	23E33665S01	CAP,ELEC,SHL 3.3/50-M-RD
E203	23E33351S01	CAP,ELEC,SHL 22/50-M-RD
E206	23E33351S01	CAP,ELEC,SHL 22/50-M-RD
E221	23E33400S01	CAP,ELEC,SHL 47/16-M-RD
E301	23E36229S01	CAP,ELEC,PXA 33-63-M-RD
E302	23E36229S01	CAP,ELEC,PXA 33-63-M-RD
E331	23E33341S01	CAP,ELEC,1/50-M-RD
E361	23E33341S01	CAP,ELEC,1/50-M-RD
E362	23E33341S01	CAP,ELEC,1/50-M-RD
E402	23E36229S01	CAP,ELEC,PXA 33-63-M-RD
E403	23E36229S01	CAP,ELEC,PXA 33-63-M-RD
E501	23E36237S01	CAP,ELEC,SHL 22/25-M-RD
E551	23E33400S01	CAP,ELEC,SHL 47/16-M-RD
E553	23E36237S01	CAP,ELEC,SHL 22/25-M-RD
E554	23E33400S01	CAP,ELEC,SHL 47/16-M-RD
E573	23E33349S01	CAP,ELEC,SHL 4.7/50-M-RD
E603	23E36235S01	CAP,ELEC,22/25-M-RD(105°C)
E604	23E36234S01	CAP,ELEC,100/10-M-RD(105°C)
E605	23E36230S01	CAP,ELEC,47/25-M-RD
E641	23E36233S01	CAP,ELEC,470/25-M-RD
E642	23E33345S01	CAP,ELEC,SHL 470/10-M-RD
E652	23E33400S01	CAP,ELEC,SHL 47/16-M-RD
E653	23E33400S01	CAP,ELEC,SHL 47/16-M-RD
E661	23E36233S01	CAP,ELEC,470/25-M-RD
E662	23E33345S01	CAP,ELEC,SHL 470/10-M-RD
E801	23E36218S01	CAP,ELEC,LXZ 2200/35 16X31.5
E802	23E36218S01	CAP,ELEC,LXZ 2200/35 16X31.5
E805	23E36218S01	CAP,ELEC,LXZ 2200/35 16X31.5
E806	23E36218S01	CAP,ELEC,LXZ 2200/35 16X31.5
E807	23E36232S01	CAP,ELEC,2.2/50-M-RD
E808	23E36232S01	CAP,ELEC,2.2/50-M-RD
E809	23E36231S01	CAP,ELEC,47/35-M-RD
E810	23E36231S01	CAP,ELEC,47/35-M-RD
E811	23T25139Y13	CAP,PW 10R-2A
E813	23E36236S01	CAP,ELEC,SHL 330/25-M-RD
E814	23E36236S01	CAP,ELEC,SHL 330/25-M-RD
E6001	23T25139Y06	CAP,PW 102-1E +
E6002	23T25139Y06	CAP,PW 102-1E +
E6003	23T25139Y06	CAP,PW 102-1E +
E6004	23T25139Y06	CAP,PW 102-1E +
E6005	23T25139Y06	CAP,PW 102-1E +
IC100	51E36224S01	NJM4558V(TE1)
IC101	51E35178S01	IC,NJM4580V-TE2

MRD-M301

IC102	51E36224S01	NJM4558V(TE1)
IC103	51E36224S01	NJM4558V(TE1)
IC104	51T45654Y03	TC94A04AFD-016
IC105	51T35012Y01	TC9246F-EL -SE6
IC200	51E36224S01	NJM4558V(TE1)
IC301	51E36225S01	IC,TDA7571
IC302	51E23843S01	IC,NJM2903M-TE3
IC501	53-00294Z54	IC,TMP86PM47U-XXX-QT
IC511	51E35180S01	IC, MC24C01-WMN6T-SE2
IC521	51T65016Y30	IC S-80942 CNMC-T2-CP
IC522	51T65016Y31	IC S-80943 CNMC-T2-CP
IC531	51E33393S01	IC,NJMOP-07M-TE3
IC532	51T55129Y01	LM20BIM7-CP
IC550	51E36226S01	IC,NJM2360AM-TE1
IC551	51E35470S01	BA00BC0WFP-E2
IC572	51T15194Y01	TC74VHC08AFT-EL-SE5
IC601	51E27890S01	IC,uPC 494GS
IC602	51E28014S01	IC, NJM78L05UA-TE1
IC603	51E34570S01	IC,REG,NJM7808FA,T0-220F
IC604	51E35173S01	IC,REG NJM7805FA,T0-220F
IC605	51E35173S01	IC,REG NJM7805FA,T0-220F
IC607	51T25084Y01	TC74VHC74FT
IC608	51T15731W05	IC,TC7S04F
IC609	51T15194Y01	TC74VHC08AFT-EL-SE5
L301	24E36220S01	CHOKE,COIL CM10 15UH(CT2711)
L401	24E36220S01	CHOKE,COIL CM10 15UH(CT2711)
L551	24T15313Y17	IND,CDRH104 221M-E6
L552	24T65110W28	COIL,IND LK2125 10RK -CP
Q301	48T75458Y01	FET,IRF5305 PBF
Q304	48T25206Y01	FET,IRFZ 44N
Q401	48T75458Y01	FET,IRF5305 PBF
Q404	48T25206Y01	FET,IRFZ 44N
Q550	48E28010S01	TR,2SB 1238Q-TL4-RD
Q551	48E22555S01	TR,DTC 144EK-T146-CP
Q561	48E22092S01	TR,DTA 124EK-T146-CP
Q571	48E10426S01	TR,DTC 124EK-T146-CP
Q572	48E22902S01	TR,2SC2412K-Q,R,S-T146-CP
Q581	48E10426S01	TR,DTC 124EK-T146-CP
Q582	48E10426S01	TR,DTC 124EK-T146-CP
Q584	48E22094S01	TR,DTC 114YK-T-146-CP
Q601	48T25206Y01	FET,IRFZ 44N
Q602	48T25206Y01	FET,IRFZ 44N
Q603	48T25206Y01	FET,IRFZ 44N
Q604	48T25206Y01	FET,IRFZ 44N
Q663	48E22095S01	TR, DTC 143XK-T-146-CP
Q664	48E23853S01	TR,2SB 1243Q-TV4-RD
Q671	48E28010S01	TR,2SB 1238Q-TL4-RD
Q672	48E22902S01	TR,2SC2412K-Q,R,S-T146-CP
Q801	48T69176F02	TR 2SC3421-Y
Q802	48T69177F01	TR ,2SA1358-O,Y
R101	06T75049Y01	RES,CF,223-B-1/16-CP
R102	06T75049Y01	RES,CF,223-B-1/16-CP
R103	06T75049Y01	RES,CF,223-B-1/16-CP
R104	06T75049Y01	RES,CF,223-B-1/16-CP
R105	06E28537S01	RES,CF,104-J-1/16-CP
R108	06E28794S01	RES,CF,273-J-1/16-CP
R109	06E28555S01	RES,CF,153-J-1/16-CP

R112	06E28555S01	RES,CF,153-J-1/16-CP
R113	06E28549S01	RES,CF,472-J-1/16-CP
R115	06E31149S01	RES,CF,221-J-1/16-CP
R118	06E31149S01	RES,CF,221-J-1/16-CP
R120	06E28786S01	RES,CF,331-J-1/16-CP
R121	06E31174S01	RES,CF,332-J-1/16-CP
R123	06E28624S01	RES,CF,0R0-J-1/16-CP
R126	06E28624S01	RES,CF,0R0-J-1/16-CP
R131	06E28533S01	RES,CF,102-J-1/16-CP
R132	06E28533S01	RES,CF,102-J-1/16-CP
R133	06E28537S01	RES,CF,104-J-1/16-CP
R134	06E28537S01	RES,CF,104-J-1/16-CP
R135	06E28624S01	RES,CF,0R0-J-1/16-CP
R136	06E28624S01	RES,CF,0R0-J-1/16-CP
R151	06E31685S01	RES,CF,105-J-1/16-CP
R152	06E28533S01	RES,CF,102-J-1/16-CP
R160	06E28533S01	RES,CF,102-J-1/16-CP
R161	06E28533S01	RES,CF,102-J-1/16-CP
R162	06E31160S01	RES,CF,473-J-1/16-CP
R171	06E31174S01	RES,CF,332-J-1/16-CP
R172	06E32201S01	RES,CF,391-J-1/16-CP
R173	06E31148S01	RES,CF,101-J-1/16-CP
R201	06T75049Y01	RES,CF,223-B-1/16-CP
R202	06T75049Y01	RES,CF,223-B-1/16-CP
R203	06T75049Y01	RES,CF,223-B-1/16-CP
R204	06T75049Y01	RES,CF,223-B-1/16-CP
R205	06E28537S01	RES,CF,104-J-1/16-CP
R208	06E28794S01	RES,CF,273-J-1/16-CP
R209	06E28555S01	RES,CF,153-J-1/16-CP
R212	06E28555S01	RES,CF,153-J-1/16-CP
R213	06E28549S01	RES,CF,472-J-1/16-CP
R215	06E31149S01	RES,CF,221-J-1/16-CP
R218	06E31149S01	RES,CF,221-J-1/16-CP
R220	06E28786S01	RES,CF,331-J-1/16-CP
R221	06E31174S01	RES,CF,332-J-1/16-CP
R223	06E28624S01	RES,CF,0R0-J-1/16-CP
R226	06E28624S01	RES,CF,0R0-J-1/16-CP
R231	06E28533S01	RES,CF,102-J-1/16-CP
R232	06E28533S01	RES,CF,102-J-1/16-CP
R233	06E28537S01	RES,CF,104-J-1/16-CP
R234	06E28537S01	RES,CF,104-J-1/16-CP
R235	06E28624S01	RES,CF,0R0-J-1/16-CP
R236	06E28624S01	RES,CF,0R0-J-1/16-CP
R301	06E33312S01	RES,MO,10-J-2W-S
R302	06E33313S01	RES,MO,27-J-2W-S
R304	06E33314S01	RES,RW 0.01R-J-5W
R305	06E31148S01	RES,CF,101-J-1/16-CP
R306	06E31148S01	RES,CF,101-J-1/16-CP
R313	06E22928S01	RES,CF,43R-J-1/4-CP
R314	06E24393S01	RES,CF,56R-J-1/4-CP
R315	06E22113S01	RES,CF,22R-J-1/4-CP
R316	06E22114S01	RES,CF,27R-J-1/4-CP
R317	06E36227S01	RES,CF,392-F-1/4-CP
R318	06E33235S01	RES,CF,102-F-1/16-CP
R319	06E28537S01	RES,CF,104-J-1/16-CP
R320	06E28537S01	RES,CF,104-J-1/16-CP
R321	06E33240S01	RES,CF,124-F-1/16-CP

R322	06E32214S01	RES,CF,182-F-1/16-CP
R323	06E28534S01	RES,CF,103-J-1/16-CP
R324	06E28795S01	RES,CF,333-J-1/16-CP
R325	06E33252S01	RES,CF,122-F-1/16-CP
R326	06E28534S01	RES,CF,103-J-1/16-CP
R331	06E22115S01	RES,CF,101-J-1/4-CP
R356	06E28534S01	RES,CF,103-J-1/16-CP
R358	06E28534S01	RES,CF,103-J-1/16-CP
R359	06E31174S01	RES,CF,332-J-1/16-CP
R360	06E28624S01	RES,CF,0R0-J-1/16-CP
R371	06E32201S01	RES,CF,391-J-1/16-CP
R401	06E33312S01	RES,MO,10-J-2W-S
R402	06E33313S01	RES,MO,27-J-2W-S
R404	06E33314S01	RES RW 0.01R-J-5W
R405	06E31148S01	RES,CF,101-J-1/16-CP
R406	06E31148S01	RES,CF,101-J-1/16-CP
R413	06E22928S01	RES,CF,43R-J-1/4-CP
R414	06E24393S01	RES,CF,56R-J-1/4-CP
R415	06E22113S01	RES,CF,22R-J1/4-CP
R416	06E22114S01	RES,CF,27R-J-1/4-CP
R417	06E36227S01	RES,CF,392-F-1/4-CP
R418	06E33235S01	RES,CF,102-F-1/16-CP
R419	06E28537S01	RES,CF,104-J-1/16-CP
R420	06E28537S01	RES,CF,104-J-1/16-CP
R421	06E33240S01	RES,CF,124-F-1/16-CP
R422	06E32214S01	RES,CF,182-F-1/16-CP
R423	06E28534S01	RES,CF,103-J-1/16-CP
R424	06E28795S01	RES,CF,333-J-1/16-CP
R500	06E28624S01	RES,CF,0R0-J-1/16-CP
R501	06E28534S01	RES,CF,103-J-1/16-CP
R502	06E28537S01	RES,CF,104-J-1/16-CP
R503	06E28534S01	RES,CF,103-J-1/16-CP
R504	06E28534S01	RES,CF,103-J-1/16-CP
R506	06E28534S01	RES,CF,103-J-1/16-CP
R507	06E28535S01	RES,CF,223-J-1/16-CP
R508	06E31175S01	RES,CF,822-J-1/16-CP
R509	06E31160S01	RES,CF,473-J-1/16-CP
R510	06E31160S01	RES,CF,473-J-1/16-CP
R511	06E31153S01	RES,CF,222-J-1/16-CP
R512	06E31153S01	RES,CF,222-J-1/16-CP
R516	06E28537S01	RES,CF,104-J-1/16-CP
R517	06E28533S01	RES,CF,102-J-1/16-CP
R518	06E28537S01	RES,CF,104-J-1/16-CP
R519	06E20752S01	RES,CF,221-J-1/4-CP
R520	06E28534S01	RES,CF,103-J-1/16-CP
R521	06E28534S01	RES,CF,103-J-1/16-CP
R524	06E28549S01	RES,CF,472-J-1/16-CP
R525	06E35131S01	RES,CF,393-F-1/16-CP
R526	06E33278S01	RES,CF,563-F-1/16-CP
R527	06E28534S01	RES,CF,103-J-1/16-CP
R528	06E28549S01	RES,CF,472-J-1/16-CP
R531	06E35191S01	RES,CF,473-F-1/16-CP
R532	06E35191S01	RES,CF,473-F-1/16-CP
R533	06E33235S01	RES,CF,102-F-1/16-CP
R534	06E35191S01	RES,CF,473-F-1/16-CP
R535	06E35191S01	RES,CF,473-F-1/16-CP
R536	06E33235S01	RES,CF,102-F-1/16-CP

R537	06E28533S01	RES,CF,102-J-1/16-CP
R541	06E34813S01	RES,CF,303-F-1/16-CP
R542	06E31687S01	RES,CF,103-F-1/16-CP
R543	06E31685S01	RES,CF,105-J-1/16-CP
R544	06E28534S01	RES,CF,103-J-1/16-CP
R545	06E28534S01	RES,CF,103-J-1/16-CP
R550	06E36222S01	RES,CF,1RO-J-1/4-CP
R551	06E33835S01	RES,CF,181-J-1/16-CP
R552	06E36228S01	RES,CF,243-F-1/16-CP
R553	06E34550S01	RES,CF,272-F-1/16-CP
R555	06E36223S01	RES,CF,273-F-1/16-CP
R556	06E34814S01	RES,CF,513-F-1/16-CP
R558	06E31160S01	RES,CF,473-J-1/16-CP
R559	06E31175S01	RES,CF,822-J-1/16-CP
R560	06E36222S01	RES,CF,1RO-J-1/4-CP
R561	06E28549S01	RES,CF,472-J-1/16-CP
R562	06E28624S01	RES,CF,0R0-J-1/16-CP
R563	06E20545S01	RES,CF,33R-J-1/4-CP
R564	06E20545S01	RES,CF,33R-J-1/4-CP
R565	06E20545S01	RES,CF,33R-J-1/4-CP
R566	06E20545S01	RES,CF,33R-J-1/4-CP
R571	06E28548S01	RES,CF,471-J-1/16-CP
R572	06E28537S01	RES,CF,104-J-1/16-CP
R573	06E31153S01	RES,CF,222-J-1/16-CP
R575	06E28534S01	RES,CF,103-J-1/16-CP
R579	06E28534S01	RES,CF,103-J-1/16-CP
R585	06E28534S01	RES,CF,103-J-1/16-CP
R586	06E28534S01	RES,CF,103-J-1/16-CP
R587	06E28534S01	RES,CF,103-J-1/16-CP
R588	06E28537S01	RES,CF,104-J-1/16-CP
R589	06E28537S01	RES,CF,104-J-1/16-CP
R590	06E20547S01	RES,CF,561-J-1/4-CP
R591	06E22548S01	RES,CF,471-J-1/4-CP
R592	06E20547S01	RES,CF,561-J-1/4-CP
R593	06E22548S01	RES,CF,471-J-1/4-CP
R594	06E22074S01	RES,CF,102-J-1/4-CP
R599	06E22074S01	RES,CF,102-J-1/4-CP
R601	06E23900S01	RES,CF,20R-J1/4-CP
R602	06E23900S01	RES,CF,20R-J1/4-CP
R603	06E33340S01	RES MO-221-J-1W-RD
R604	06E33340S01	RES MO-221-J-1W-RD
R605	06E22071S01	RES,CF 10R-J-1/4-CP
R606	06E22071S01	RES,CF 10R-J-1/4-CP
R607	06E22071S01	RES,CF 10R-J-1/4-CP
R608	06E22071S01	RES,CF 10R-J-1/4-CP
R609	06E33340S01	RES MO-221-J-1W-RD
R610	06E33340S01	RES MO-221-J-1W-RD
R611	06E28793S01	RES,CF,183-J-1/16-CP
R612	06E28534S01	RES,CF,103-J-1/16-CP
R613	06E31806S01	RES,CF,244-J-1/16-CP
R614	06E28535S01	RES,CF,223-J-1/16-CP
R615	06E34550S01	RES,CF,272-F-1/16-CP
R616	06E36223S01	RES,CF,273-F-1/16-CP
R617	06E31806S01	RES,CF,244-J-1/16-CP
R618	06E34550S01	RES,CF,272-F-1/16-CP
R619	06E23900S01	RES,CF,20R-J1/4-CP
R620	06E23900S01	RES,CF,20R-J1/4-CP

MRD-M301

R621	06E36223S01	RES,CF,273-F-1/16-CP
R653	06E28534S01	RES,CF,103-J-1/16-CP
R661	06E23597S01	RES,CF, 182-J-1/4-CP
R662	06E23597S01	RES,CF, 182-J-1/4-CP
R663	06E23597S01	RES,CF, 182-J-1/4-CP
R664	06E23597S01	RES,CF, 182-J-1/4-CP
R670	06E33335S01	RES,CF, 303-J-1/4-CP
R671	06E31159S01	RES,CF,303-J-1/16-CP
R672	06E31086S01	RES,CF, 473-J-1/4-CP
R673	06E26239S01	RES,CF, 103-J-1/4-CP
R801	06E31175S01	RES,CF,822-J-1/16-CP
R802	06E31175S01	RES,CF,822-J-1/16-CP
R803	06E31685S01	RES,CF,105-J-1/16-CP
R804	06E31685S01	RES,CF,105-J-1/16-CP
R809	06E33312S01	RES,MO,10-J-2W-S
R810	06E33312S01	RES,MO,10-J-2W-S
R813	06E26239S01	RES,CF, 103-J-1/4-CP
R814	06E28534S01	RES,CF,103-J-1/16-CP
R815	06E31150S01	RES,CF,112-J-1/16-CP
R816	06E31150S01	RES,CF,112-J-1/16-CP
R819	06E31160S01	RES,CF,473-J-1/16-CP
R820	06E28534S01	RES,CF,103-J-1/16-CP
R821	06E28533S01	RES,CF,102-J-1/16-CP
R822	06E28533S01	RES,CF,102-J-1/16-CP
R823	06E28537S01	RES,CF,104-J-1/16-CP
R824	06E28537S01	RES,CF,104-J-1/16-CP
SD551	48T15702W01	DIO,CP SB05-05CP
SW101	40E23679S01	SMV,SSAF 122NA (INPUT LEVEL (1.0V-8.0V/0.1V-1.0V))
T801	25E36219S01	TRANS,EI EER40 (4T:8T)
T802	24E35126S01	CHOKE TRANS,EER2825U 40A-X
T803	25T75404Y01	CHOKE, TF3423VU -DB
TH371	48T75382Y01	TMT,PRF18AS471OS2-CP
TH801	48T75202Y02	TMT,NCP18WE104FOS -CP
XL151	91T55217Y02	XTL,NX8045GB 33.8-E5
Z101	91T75197Y01	EMI,ACM4532-801-E2
Z161	91T65112W04	EMI,BK2125HS601 -CP
Z162	91T65112W04	EMI,BK2125HS601 -CP
Z163	91T65112W04	EMI,BK2125HS601 -CP
Z164	91T15509Y08	EMI,BK1608HM102 -CP
Z171	91T65112W04	EMI,BK2125HS601 -CP
Z172	91T15509Y08	EMI,BK1608HM102 -CP
Z173	91T15509Y08	EMI,BK1608HM102 -CP
Z201	91T75197Y01	EMI,ACM4532-801-E2
Z571	91T15509Y08	EMI,BK1608HM102 -CP
Z572	91T15509Y08	EMI,BK1608HM102 -CP
Z573	91T15509Y08	EMI,BK1608HM102 -CP
Z574	91T15509Y08	EMI,BK1608HM102 -CP
Z575	91T15509Y08	EMI,BK1608HM102 -CP
Z576	91T25741Y03	EMI,CNF20R102S-CP
Z578	91T25741Y03	EMI,CNF20R102S-CP
Z579	91T25741Y03	EMI,CNF20R102S-CP
Z601	91T15509Y08	EMI,BK1608HM102 -CP
Z602	91T15509Y08	EMI,BK1608HM102 -CP
Z603	91T15509Y08	EMI,BK1608HM102 -CP
Z604	91T15509Y08	EMI,BK1608HM102 -CP
Z605	91T65112W04	EMI,BK2125HS601 -CP

MRD-M301

Z606	91T65112W04	EMI,BK2125HS601 -CP
Z607	91T65112W04	EMI,BK2125HS601 -CP
Z608	91T65112W04	EMI,BK2125HS601 -CP
Z609	91T15509Y08	EMI,BK1608HM102 -CP
Z610	91T15509Y08	EMI,BK1608HM102 -CP
Z611	91T65112W04	EMI,BK2125HS601 -CP
Z612	91T15509Y08	EMI,BK1608HM102 -CP
Z613	91T65112W04	EMI,BK2125HS601 -CP
Z801	91T65112W04	EMI,BK2125HS601 -CP
Z802	91T65112W04	EMI,BK2125HS601 -CP
Z803	91T65112W04	EMI,BK2125HS601 -CP
ZD521	48T25766W46	DIO,ZEN HZS 15-2L-R5
ZD522	48T25801W11	DIO,ZEN,HZS 5BLL-R5
ZD523	48T25801W11	DIO,ZEN,HZS 5BLL-R5
ZD561	48T25766W24	DIO,ZEN.HZS 9C1L-R5
ZD562	48T25766W24	DIO,ZEN.HZS 9C1L-R5
ZD671	48T25766W01	DIO,ZEN,HZS 6A1L-R5
ZD672	48T25766W48	DIO,ZEN HZS16-1L-R5
ZD673	48T25766W48	DIO,ZEN HZS16-1L-R5

=====Miscellaneous

DIN601	09E33321S01	7P DIN SOCKET SCREW TYPE (CONTROLLER)
F101	65E35313S01	FUSE,AUTO 20A(257020)
F601	65E35313S01	FUSE,AUTO 20A(257020)
JK101	09E33322S01	RCA JACK 02P (INPUT)
TML301	09E33323S01	BLOCK TERMINAL 2P (POWER SUPPLY)
TML601	09E32028S01	FUSE TERMINAL 3P (SPEAKER OUTPUT)

Cabinet Assembly Parts List

Note : The part that has not PART NUMBER will not be supplied.

1	-----	MAIN HEAT/SINK
2	-----	CAST,SIDE(R)
3	-----	CAST,SIDE(L)
4	-----	CHAS,FRONT(A)
5	-----	COVER,BOTTOM(A)
6	03E36201S01	SCR, M3X10(P)TPG-TPT (BLK)
7	03E36202S01	SCR, M2X10(P)TPG 1(BLK)
8	03E28022S01	SCR(MFSn-2), M2.6X6(B) TPG-TPT(WHT)
9	03E36203S01	SCR, M2.6X8(P) MCH(BLK)
10	03E36204S01	SCR, M3X11(W)TPG-TPT(WHT)
11	03E36205S01	SCR, M2.6X5(B)MCH-TPT(BLK)
12	03E36206S01	SCR, M3X8(B)TPG-TPT(BLK)
13	03E36207S01	SCR, M3X6(B)TPG-TPT(BLK)
14	03E36208S01	WRENCH BOLT M3X12(WHT)
15	03E36209S01	SCR, M3X18(S.W)TPG-TPT(BLK)
16	03E36210S01	SCR, M3X10(SW)TPG-TPT(WHT)
17	15E11445S01	COVER, S/W
18	-----	SUPPORT PWB
19	-----	TC-600HS1.4(15-15)
20	75E36217S01	SILPAD(200X20.5)
21	-----	BAR, H/SINK(A)
22	15E36211S01	COVER, SHAFT
23	15E36212S01	COVER, HINGE
24	-----	SHAFT, HINGE
25	-----	HINGE ASS'Y
26	-----	COVER, OPEN(A)
27	-----	SCALE PLATE(A)
28	01E36221S01	ASS'Y VFD MODUL PWB PMM301AE
29	-----	HOLDER, VFD
30	-----	FL, CCA-01SS24T-DB
31	-----	FILTER, INNER
32	-----	KNOB, MONO(R)
33	-----	KNOB MONO(L)
34	-----	HOLDER, KNOB
35	-----	SHEET, DIFFUSION
36	-----	LENS, LED
37	-----	COVER, VFD
38	-----	FFC WIRE 12P (50MM)
39	64E36214S01	SHEET, VFD(A)
40	07E26525S01	BKT, PANEL(A)
41	-----	LUG, GND
42	15E27865S01	FUSE HOLDER
44	-----	BADGE, PLATE